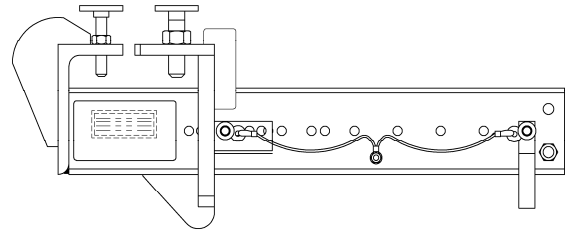


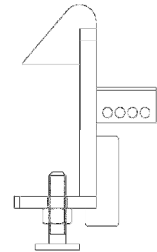
702554-1 Bottom Flange Truss Outrigger

New Truss Outrigger expands ability to mount to bottom flange of beams when unable to rig from the top flange.

- Heavy duty steel construction with stainless steel hardware
- Use only on beams with flange width of 6 in or larger. Beam must support 1000 lb vertical load and up to 19,750 ft lbs of torque with safety factor of 4.
- No tools required for installation
- Thorough labeling ensures worry-free installation
- Components can retrofit to SA-4474 Top Flange Truss Outriggers
- Built by Power Climber in the USA



Want to retrofit an SA-4474?
Order 702692-1 for bracket at right. See Service Instructions for details.



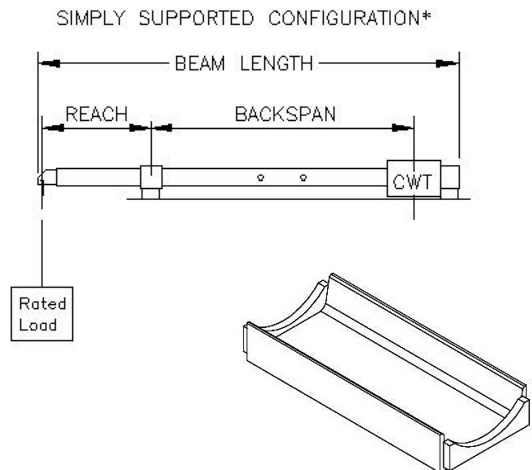
Load Rating:	1000 lbs
Weight:	38 lbs
Min Flange:	6 in
Outreach:	3 in minimum or 15.2 in maximum at 6 in flange size



702012-1 Outrigger Beam Support

New Outrigger Beam Support adapts SA-3728 Pipe Outrigger Beam to work with OBSF Frame, Outrigger Support Stand, new Corner Support Post, parapet-mounted or simple supported applications.

- Adapts pipe-style beam from SA-3728 Rolling Outrigger for use with OBSF frame A-11393 to increase capacity to 1250 and 1500 lbs
- Allows for beam to sit on structural parapet wall with SA-10842 Outrigger Support Stands at back-end of beam
- Can be used with 701877-1 Corner Support Post
- Heavy duty steel construction
- No tools required for installation
- Thorough labeling ensures worry-free installation
- Built by Power Climber in the USA



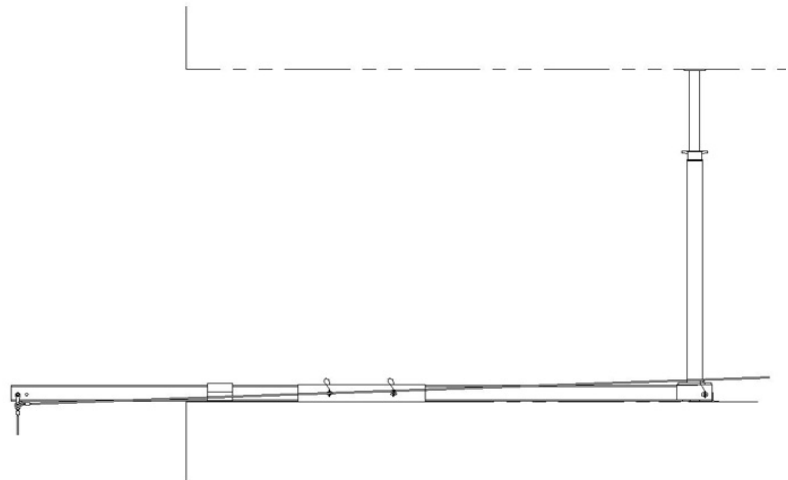
Load Rating:	1500 lbs
Weight:	9 lbs
Outreach:	44 in at 1250 lbs
	36 in at 1500 lbs



Post Shore System 704099-1

Saves significant rigging time in concrete slab and open construction applications by eliminating counterweights. Quickly jumps rigging points up multiple levels for fast-track projects.

- Eliminates the need for counterweights in concrete slab applications
- Installed with powder-actuated concrete fasteners capable of holding 1500 lbs
(Not included)
- Heavy duty steel construction
- Thorough labeling ensures worry-free installation
- Fits from 7 ft 1 in to 11 ft 3 in ceiling heights
- Built by Power Climber in the USA



Load Rating: 5450 lbs at 10 ft 10 in post shore extension

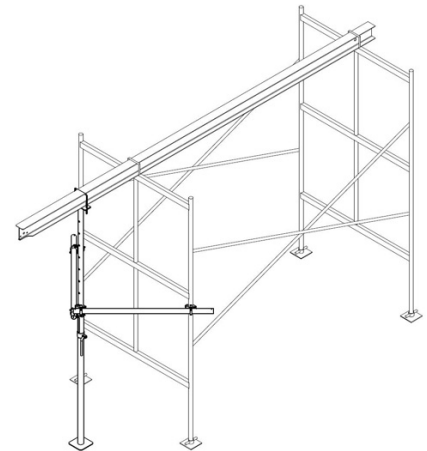
Weight: 72 lbs



Corner Support Post 701877-1

Extends reach of current outrigger beams by moving fulcrum point forward into building corners.

- For use in building corner applications to shorten the reach needed from available beams
- For use with all 4x4 SA-1088, 6x4 700751-1 and 5x5 8-0217-x series beams, 700809-2 & 700819-2 6 in square tube beams as is or to SA-3728 pipe beam with 702012-1 Outrigger Beam Support
- Attaches to: OSBF Frame A-11393, Rolling Outrigger Gantries 701960-1 and 701960-2
- Enables the use of corner-mounted hoist in 701943-1 Adjustable Corner or adjacent walk-thru stirrups to improve stability, load capacity and distribution on angled platforms
- Can be used with 2 stacked OSBF frames at maximum height
- Heavy duty steel construction
- Thorough labeling ensures worry-free installation
- Height completely adjustable from 5 ft 5 in to 9 ft 4 in
- Built by Power Climber in the USA



Standard Scaffold Clamp allows attachment to: OSBF Frame A-11393, 701960-1, 701960-2, and gantry frames.

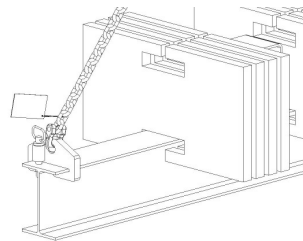
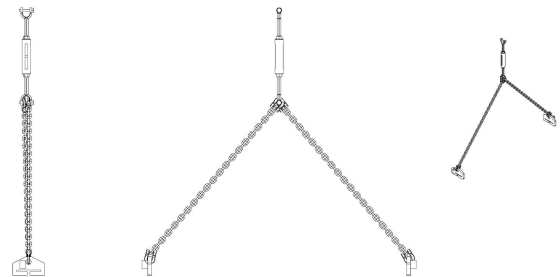
Load Rating: Up to 1500 lbs
Weight: 94 lbs in 3 pieces, heaviest piece = 54 lbs
Outreach: see beam specifications



Counterweight Beam Sling 701878-1

Saves significant rigging time and effort by locating current counterweight bar 8-0285 on roof deck or structure. Weights slide easily onto counterweight bar eliminating the need to lift weight higher than waist level.

- May reduce the number of counterweights needed when using OBSF A-11393 or Outrigger Gantries 701960-1 & 701960-2
- This product is not intended for use when flying weights to the roof with a crane or other overhead lifting applications
- Heavy duty steel construction
- No tools required for installation, turnbuckle included
- Thorough labeling ensures worry-free installation
- Use with 8-0285 counterweight bar, found in 8-0217-xx series 5x5 outrigger assemblies
- Built by Power Climber in the USA



Install counterweights onto 8-0285 then slide sling onto ends of counterweight bar.

8-0285 counterweight bar included in 8-0217-xx assembly



Final installation shown above, counterweights not shown.

Load Rating: 2500 lbs

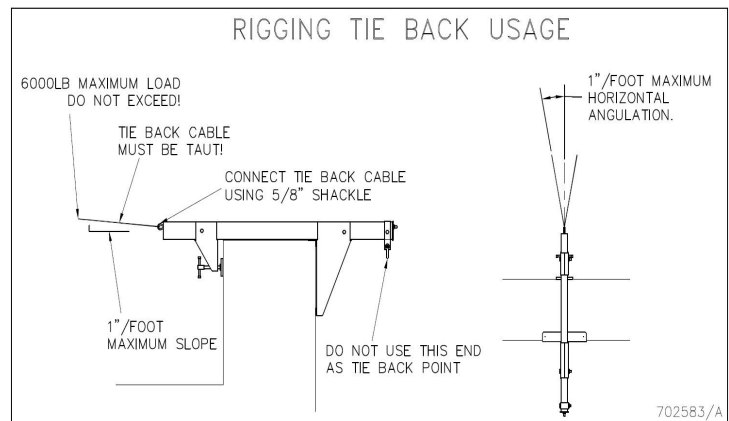
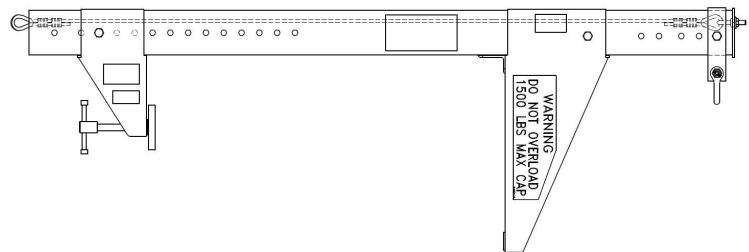
Weight: 16 lbs



Extended Parapet Clamp 702396-1

Allows for parapet clamp use on parapet walls up to 44 in thick. New labeling allows for use of parapet clamp as a tieback anchorage when roof conditions provide no anchorage point.

- Heavy duty steel and aluminum alloy construction
- No tools required for installation
- Thorough labeling ensures worry-free installation
- Use beam portion 702606-1 with existing 8-0044 front and rear assemblies to modify parapet clamps in the field
- Built by Power Climber in the USA



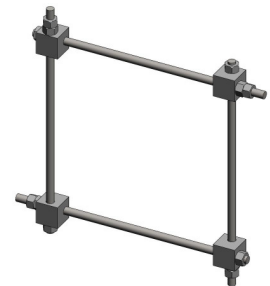
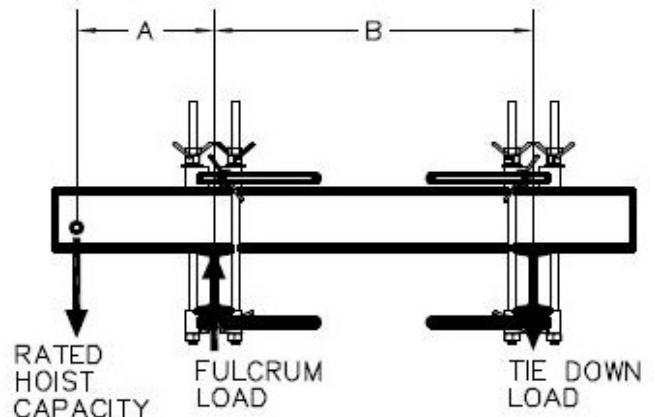
Load Rating:	1500 lbs
Outreach:	24 in
Weight:	58 lbs
Maximum Throat Opening:	44 in
Minimum Throat Opening:	18 in



Beam Tie-Down Assembly 702096-1

Engineered connection for beams to structural steel speeds connection to bridge decks and industrial plant facilities.

- Engineered system replaces any fishplate or sandwich beam connection
- Use with 8-0217 series, SA-1088, 700751-1, 700809-1 and 700819-1 beams stacked to a maximum height and width of 16 in
- 2 Assemblies required per beam
- Heavy duty steel construction
- Thorough labeling ensures worry-free installation
- Built by Power Climber in the USA



Supporting structure must be capable of supporting imposed loads.

Maximum Hoist Capacity:	1500 lbs
Maximum Counterweight Load:	4000 lbs
Weight:	26 lbs
Outreach (A):	Per outrigger label
Backspan (B):	Minimum is 1.5 times outreach



H-Plate Assembly 701881-1

Engineered connection to adjust Outrigger Beam rigging point and/or backspan to fit jobsite conditions.

- ✓ **Allows user to reduce backspan where space is limited by balconies, walkways or other obstructions.** (Figure 1)
- ✓ **Allows user to adjust the backspan to tie the beam directly down to a structural anchor.** (Figure 1)
- ✓ **Allows user to reduce the beam outreach to reduce counterweights used.** (Figure 2)

- Heavy duty steel construction
- Used with 700751-1 6x4, 8-0217-16/22/25 5x5 and 4720-01/02/34 Outrigger Beam Assemblies
- No tools installation, shackles included
- Tieback required, block end of beam with 5/8 in shackle at usual rigging point
- Thorough labeling ensures worry-free installation
- Built by Power Climber in the USA

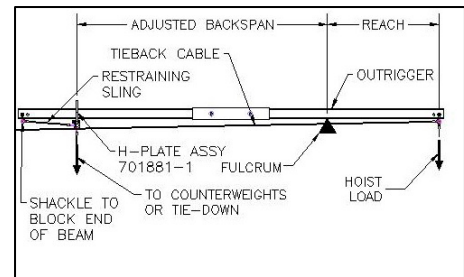


Figure 1- hoist rigging point at right

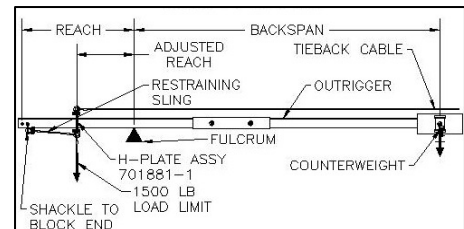


Figure 2 – hoist rigging point at left

Load Rating:	1500 lbs
Weight:	4 lbs
Dimensions:	7 x 11 x .5 in thick
Outreach:	Per Outrigger Beam
Backspan:	Minimum is 1.5 times outreach

